

ONYX
MACHINERY PRIVATE LIMITED



WHO WE ARE

SUSTAINABILITY IS NOT AN OPTION. IT'S NECESSITY FOR OUR FUTURE GENERATIONS. IN ONYX, WE STRONGLY BELIEVE IN THAT.

WE ARE THE MANUFACTURER FOR THE TECHNOLOGIES WHICH CONSUME LESS ENERGY AND RESPECT ENVIRONMENT. CONTINUOUS DEVELOPMENT, BETTER QUALITY AND CUSTOMER SATISFACTION ARE OUR DAILY MOTIVATION TO DRIVE BUSINESS TOWARDS OUR GOAL.

WE, AS A COMPANY STRONGLY BELIEVE IN OUR CAPABILITIES TO BRING TECHNOLOGIES TO THE CORE OF GARMENT MANUFACTURING, PROCESSING & FINISHING SECTOR.

WITH OVER 40 YEARS OF MACHINE MANUFACTURING EXPERIENCE INTO TEXTILE MACHINERY, WE ARE TAKING OUR STEP INTO GARMENT INDUSTRY WITH NAME OF ONYX MACHINERY WITH THE STATE OF THE ART MANUFACTURING FACILITIES WE ENSURE THE BEST QUALITY PRODUCTS TO OUR CUSTOMER.

WET PROCESS

WASHING

HYDRO

DRYING

WASHING MACHINE

Front Loading Washing Machine, Rugged Design, Suitable to work with less Water.

1:1 / 1:3 - Liquor ratio with higher capacity loading.

Design and build with Standard Stainless Steel of SS 304 & SS 316.

Fully Programmable Panel board With Touch Screen Control Panel.

With Heavy Duty Hydraulic Tilting System.

UT Tested Shaft for long life.

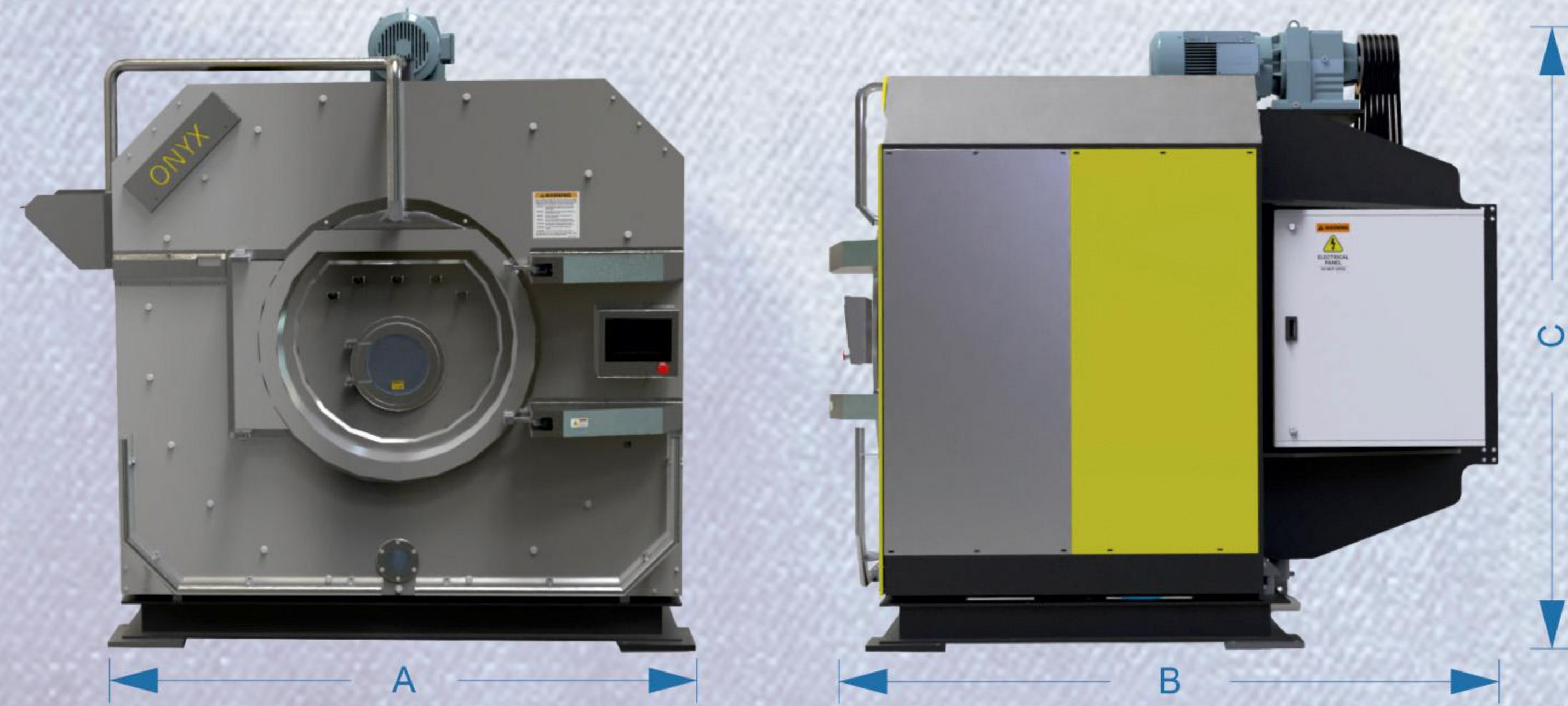
Smaller Floor Space - Ensure space saving and easy operating.

Optional Features:

Built In - FOAM / Eco-N (Nano Particle Technology)

Built In - Ozone

Built In - Jet Spray with Filtration



MODEL	Capacity (Kgs)	A (Width)	B (Depth)	C (HEIGHT)
WA 250	25	1550	1300	1900
WA 381	35	1600	1400	1900
WA 575	50	1750	1600	2000
WA 1300	130	2300	2000	2000
WA 2120	200	2300	2400	2650
WA 3000	300	2500	2600	2750
WA 4150	410	2700	3000	3100
WA 5100	500	2700	3250	3100



MODELS	UNITS	WA 250	WA 381	WA 575	WA 1300	WA 2120	WA 3000	WA 4150	WA 5100
CAPACITY	Kgs	25	35	50	130	200	300	410	500
Drum Volume	Liters	250	381	575	1300	2120	3050	4150	5100
Drum Diameter	MM	800	900	1000	1350	1500	1830	1930	1930
Drum Depth	MM	500	600	730	900	1200	1220	1420	1750
Door Opening	MM	400	675	675	790	790	1015	1015	1015
Main Motor	HP	2	3	5	7.5	15	20	25	30
Hydraulic Motor	HP	-	-	-	-	2	2	2	2
Steam Inlet	Inch	1	1	1	1	1	1	1.5	1.5
Water Inlet	Inch	1	1	1	1.5	2	2	2	2
Drain Size	MM	3	3	3	4	6	6	6 X 2 Nos.	6 X 2 Nos.

HYDRO EXTRACTOR

The Inner & Outer Drum are made of tested Stainless Steel.

The perforated basket is made of stainless steel (AIST 304) in standard sizes and in 4mm gauges according to the size of the machine.

Indirect Drive machine is suspended by heavy-duty three legs on universal oscillating steel pins with heavy steel springs and gunmetal bushes. This arrangement removes the vibration while the machine is running.

The revolving cage is driven by vertical TEFC Motor fixed on the main channel frame, consuming 3ph, 50Hz, 415 Volt , A.C. Power supply .

The motor is fitted with dead load proof centrifugal clutch pulley for progressive starting of the machine, which removes the initial load on the motor.

Brake is controlled by spring loaded auto lever. And it fitted with fedrolined external shoe brakes. This brings the heavy internal basket to an effective stop in 20 – 40 seconds.

Suspension system to minimize vibrations. Three point suspension on heavy duty spring on Cast Iron legs and channels frame.

SAFETY FEATURES :

Door interlocked to Main drive.

Air lock to prevent door opening when machine in operation .

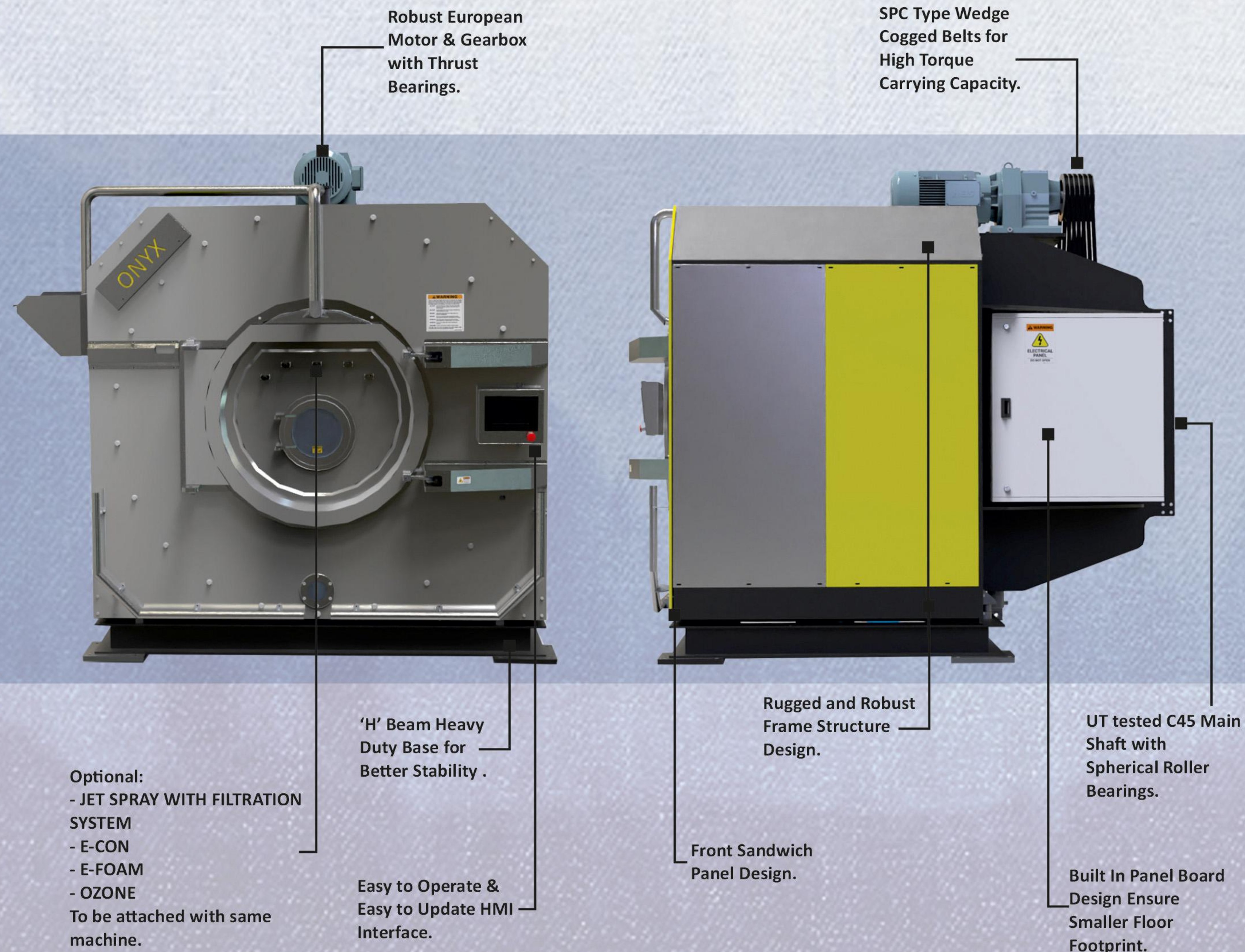
Thermal overload protection for Motor.

Large drain to prevent machine from flooding.

Friction clutch for smooth start and run.

Guards to protect the moving parts.

Mechanical spring loaded auto brake.



MODELS	UNITS	HED 71	HED 115	HENC 270	HENC 370	HENC 475	HED 621
CAPACITY	Kgs	15	30	50	100	150	200
Drum Volume	Liters	71	115	170	370	475	621
Drum Diameter	MM	550	700	915	1070	1220	1200
Drum Depth	MM	300	300	406	406	406	550
Main Motor	HP	2	5	7.5	7.5	10	10
Extract Speed	RPM	960	960	800	800	800	900
Drain Outlet	MM	65	65	75	100	100	125

In view of continuous improvement of the products, ONYX reserves the right to change the specifications without prior notice.

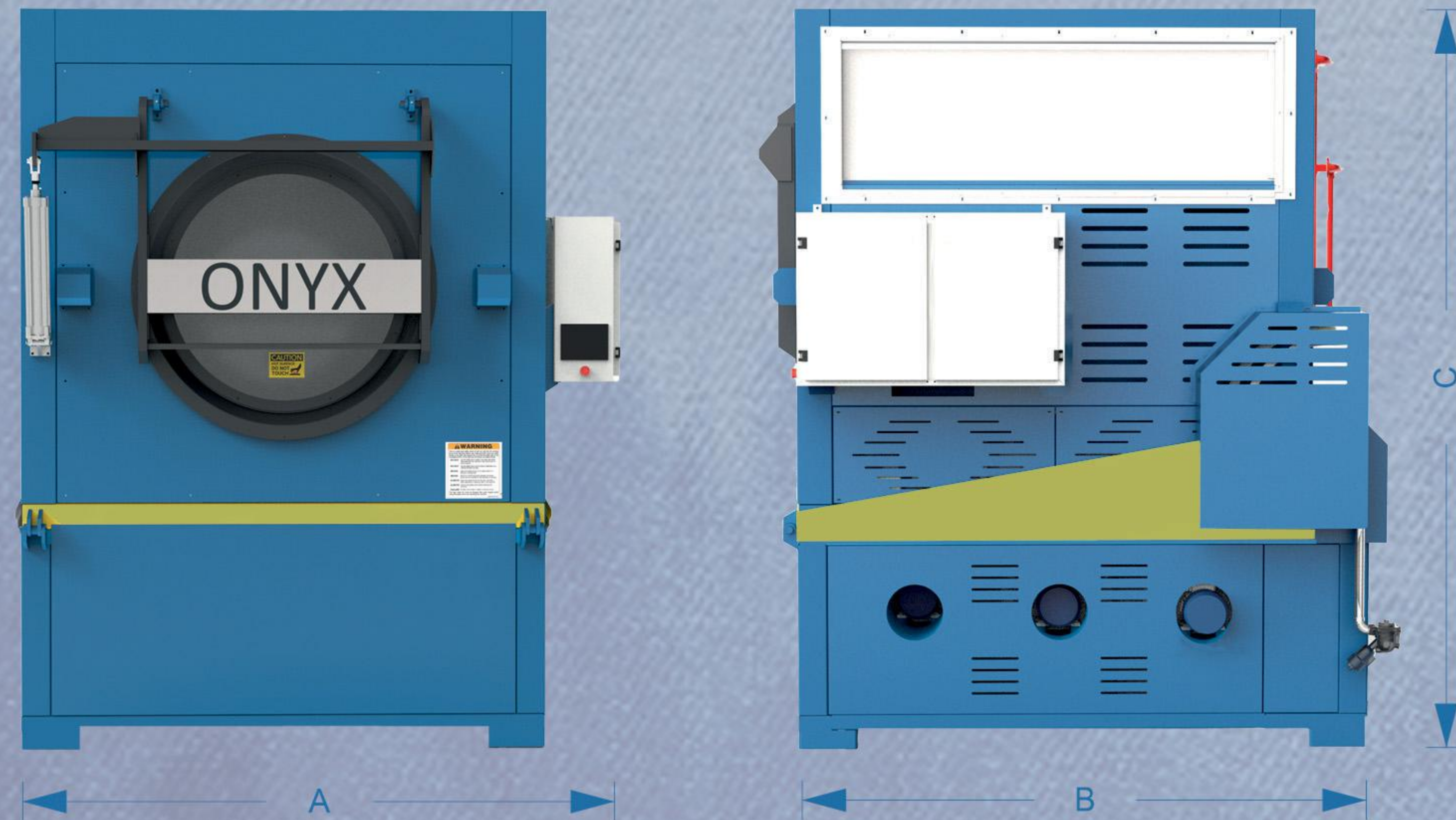
TUMBLE DRYER

Stainless steel Heat Exchanger with Efficient blower design for faster Drying.
 Large Glass door opening for easy loading and unloading.
 Special Gearbox Drive ensure longer life mechanism with smooth operation.
 Programmable Micro processor control panel board for easy operation.
 Available in STEAM / GAS Heating system.

Special Shaft-less design available for Higher Capacity production Dryer.

Optional Features:

Humidity Sensor
 IR Sensor system



MODEL	Capacity (Kgs)	A (Width)	B (Depth)	C (Height)
TD 300	15	830	1270	1500
TD 600	30	1050	1320	1870
TD 1495	75	1560	2050	2350
TD 2200	110	2000	2250	2400
TD 3000	150	2300	2300	2600
TD 4085	200	2380	2560	2960
TD 4930	250	2380	2735	2960
TD 5890	300	2380	3135	2960



MODELS	UNITS	TD 300	TD 600	TD 1495	TD 2200	TD 3000	TD 4085	TD 4930	TD 5890
CAPACITY	Kgs	15	30	75	110	150	200	250	300
Drum Volume	Liters	300	595	1495	2200	3000	4085	4930	5890
Drum Diameter	MM	700	950	1380	1130	1775	1750	1750	1750
Drum Depth	MM	800	840	1000	1580	1205	1700	2050	2450
Door Opening	MM	500	750	750	990	990	1020	1020	1020
Main Motor	HP	0.5	1	3	5	5	2 x 2 Nos.	2 x 2 Nos.	3 x 2 Nos.
Exhaust Motor	HP	0.75	1	2	2 X 2 Nos.	2 X 2 Nos.	2 X 2 Nos.	3 X 4 Nos.	3 X 4 Nos.
Steam Inlet	Inch	0.5	0.5	1	1.1/4	1.1/4	1.5	1.5	1.5
Steam Outlet	Inch	0.5	0.5	1	1	1	1	1	1

In view of continuous improvement of the products, ONYX reserves the right to change the specifications without prior notice.

www.onyxmachinery.in

In view of continuous improvement of the products, ONYX reserves the right to change the specifications without prior notice.

www.onyxmachinery.in

SUSTAINABLE PROCESS



OZONE

ECON

EFOAM

EDRYING

OZONE

OZONE TECHNOLOGY helps in removing Back staining, Bleaching or fading in order to reduce number of baths to reduce water consumption. ONYX - Ozone technology produce with "High Barrier Quartz Electrode" to give high concentration ozone and high Operating life.

Water Cooled system give constant ozone output. high frequency resonant inverter for longer life and power saving.

Tight sealed drum made out of tested stainless steel & TEFLON gaskets to ensure no leakage of Ozone.

Fully Automatic Touch Screen Panel board for easy & safe operating helps you to programme your production precisely.

Ozone Generator Capacity Available up to 2000 Grams/Hr.

SAFETY FEATURES:

OZONE DESTRUCTION SYSTEM :

It is very much important to destruct O3 Gas and convert the same into O2 before discharging into atmosphere. ONYX ozone destruction system fitted with special heaters which works between 150-300 Degree Temp & ensure proper ozone destruction. The machine is connected with special vent pipe through suction blower which will take out complete ozone gas available in the machine and destruct the same before discharging it to the atmosphere. Destruction System is programmed with special Fresh Air inlet system which ensure no ozone is left inside the drum for advance safety.

OZONE ANALYSER (OPTIONAL) :

Machine is equipped with Ozone analyser to control the ozone concentration inside the drum and control the door switch to ensure safety. The door can only open when concentration is less than 5 PPM.



MODELS	O3 Grams/Hr	Drum Volume (LTR)	Drum Dia (mm)	Drum Depth (mm)	Drum Motor (Hp)	Blower Motor (Hp)	Fresh Air Inlet Size (mm)
OZ 200	200	2120	1500	1200	5	1.5	100
OZ 400	400	2120	1500	1200	5	1.5	100
OZ 800	800	3000	1830	1220	7.5	2	100
OZ 1200	1200	3000	1830	1220	7.5	2	100
OZ 2000	2000	3000 x 2 Nos.	1830	1220	7.5 X 2	2	100

In view of continuous improvement of the products, ONYX reserves the right to change the specifications without prior notice.

ECON / ECON COMBI

STSTUSTAINABLE NANO PARTICLE TECHNOLOGY capable to create homogeneous effect on garment.

Water saving up to 95%.

Chemical Saving up to 60%.

Zero Discharge Process.

Special IR Sensor for precise chemical control.

Can be Connected to any existing Washing Machine.

Useful for process like,

- Enzyme,
- Softener,
- Resin Application,
- Water repellent process etc.

ECON Combi is suitable to connect with 2 Washing machine and can work simultaneously with both machine with different chemicals also.



MODELS	UNITS	ECO-N (1)	ECO-N (2)	ECO-N COMBI	ECO-N COMBI SAMPLE
CAPACITY	Liters	200 LPH	200 LPH	200 LPH	80 LPH
Tank Volume	Liters	100	100 x 2 Nos.	100 X 2 Nos.	10 X 4 Nos.
Water Inlet	Inch	1	1	1	1
Drain Outlet	Inch	1	1	1	1
Suitable for Machine	Nos.	1	1	2	2
Air Pressure	Bar	6	6	6	6
Electrical Load	HP	2	2	4	4
Overall Dimensions	MM	700 X 1800 X 1650	700 X 2200 X 1650	700 X 2600 X 1650	700 X 2000 X 1650

In view of continuous improvement of the products, ONYX reserves the right to change the specifications without prior notice.

EFOAM



Efoam increase wetting property of Garment and create homogeneous effect on garment.

Efoam machine can work independently with multiple Front loading machine without attaching the same.

Suitable for Desize, Enzyme, Bleach, Towel Wash, Tinting processes.

Works at 1:1 Liquor Ratio with no discharge.

Efoam allow saving of water up to 80%.



EDRYING / SUSTAINABLE DRYING

SUSTAINABLE DRYING SYSTEM SAVES 85% ENERGY.

Improve Garment Quality - No Lycra Damage / No Back staining Dry Garment up to 85%.

Saves Steam Energy up to 75% & electrical Energy up to 85%With Garment Auto Unloading System for Bottoms.

Optional Features:

Hot Chamber : Infrared - To create more drying capacity.

Garment Counter System

STEAM SAVING



ELECTRICAL SAVING





OPTIONAL :

Chamber with R.H.Sensor & Blower to get humidity value of garment, which help to adjust the conveyor speed.

Heat Chamber work with Infrared Filaments or Dryer Exhaust Hot Air with Filters to reduce drying time.



DRY PROCESS

WHISKER
SCRAPING
SPRAY
RESIN APPLICATION

WHISKER / SCRAPPING

Whisker Station

Unique design to achieve whisker designs on the garment.

Equipped with DIGITAL PRESSURE CONTROL SYSTEM for lycra control and reduce damage of rubber tubes as well as Garments.

Easy to change Rubber mould as per the design

It helps to improve manpower efficiency

Air Pressure : 4-6 Bar

Air Consumption : 1 CFM / Jean



Scrapping Mannequins

HORIZONTAL / INCLINED / VERTICAL / JACKET

Ergonomic design, easy to use, better efficiency and better visibility on garment.

Auto / Manual Back support has been provided.

With Digital Auto Pressure Control System for Auto Air filling and Auto Air discharge.

It can be used as Wall Mounted or With Structure design front and back side as well.

Air Pressure :4-6 Bar

Air Consumption :2 CFM / Jean



WHISKER / SCRAPPING

Horizontal / Vertical Scrapping Mannequins

Available in Stand alone design for sampling.

For production available in set design of 5 Mannequins

With Digital Auto Pressure Control System for Auto Air filling and

Auto Air discharge

Distance between two legs size is set able.

Auto / Manual Back Support has been provided for easy working.

Air Pressure : 4-6 Bar

Air Consumption : 2 CFM / Jean



Universal Scrapping Mannequins

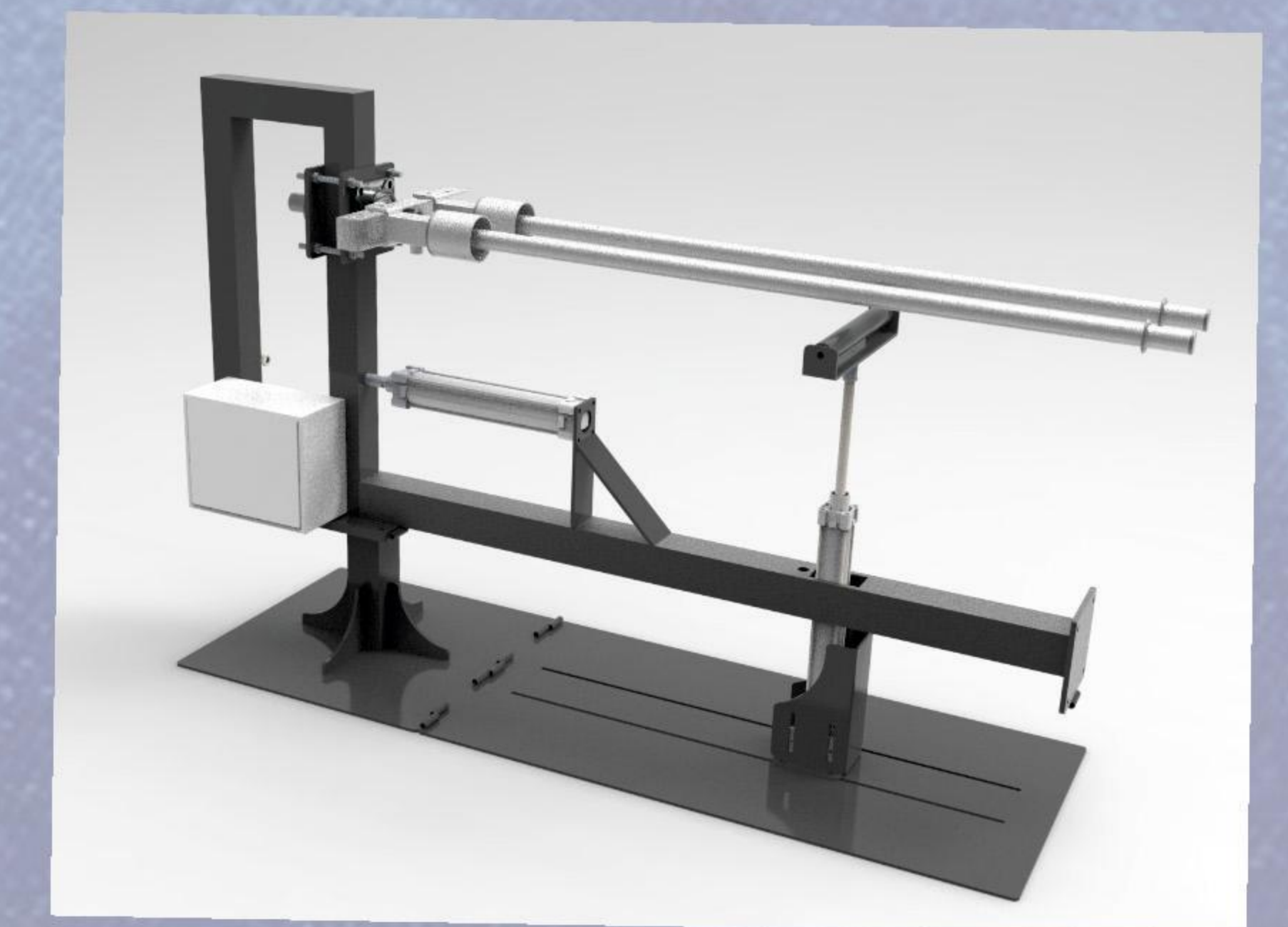
Designed to achieve scrapping effect on Denim.

Suitable to work Horizontally or Vertically .

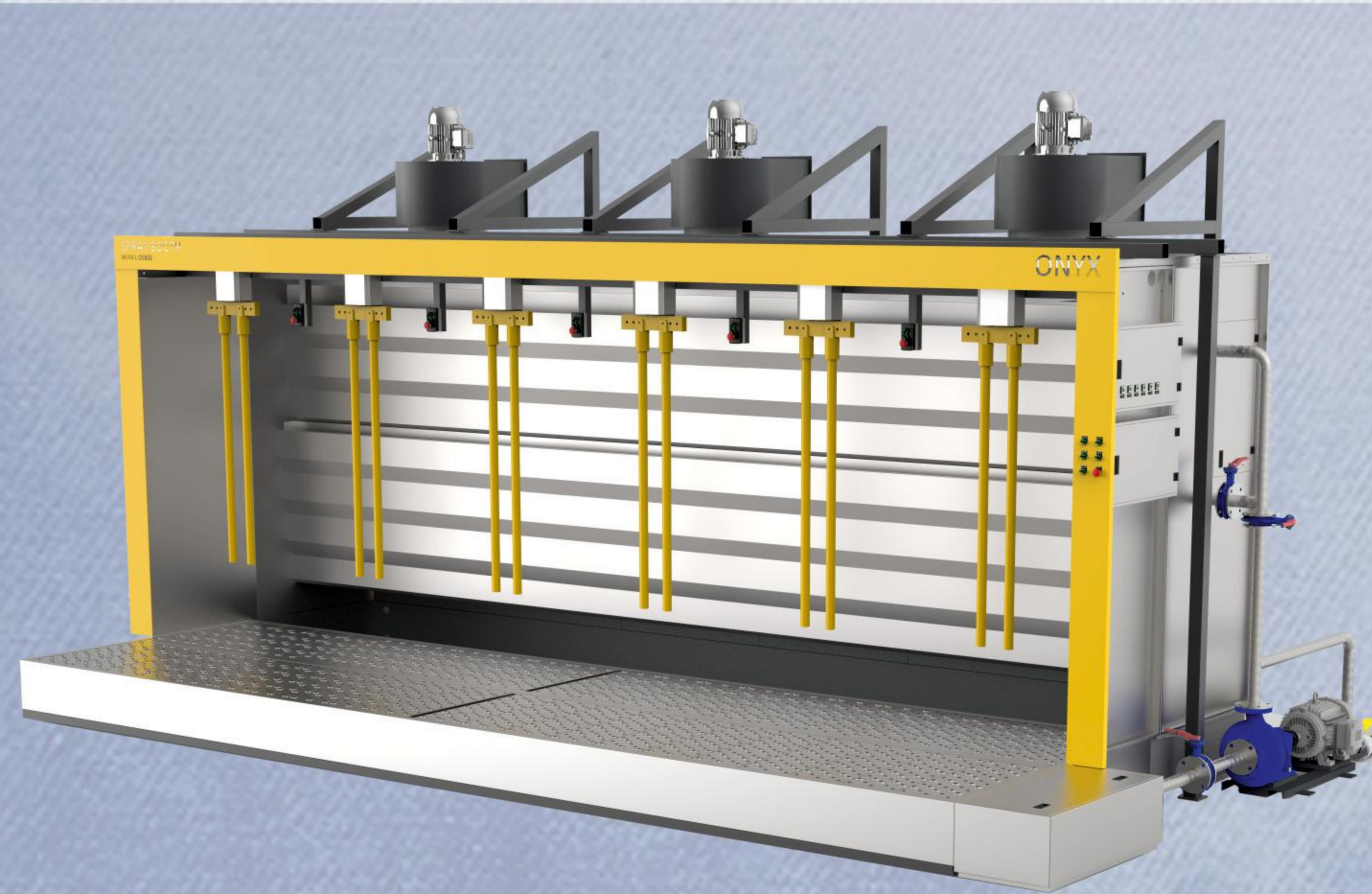
With Digital Auto Pressure Control System for Auto Air filling and

Auto Air discharge

Air Pressure : 4-6 Bar



SPRAYBOOTH WITH PLATFORM



Main pool is made out of 2.5 mm SS 316 grade steel. Water fall and water fall tanks are made out of 1.5 mm SS 304 Grade Steel. Side panels are made out of 1 mm SS 304 Grade steel.

Specially designed Efficient Blower with stand alone structure design ensure low noise level and easy installation.

Dual filtration system has been provided to ensure no particles goes along with air exhaust.

All mannequins are connected with Digital Auto Pressure Control System for Auto Air fill up and Auto Air Exhaust.

SPRAY BOOTH	ONSB - SAMPLE	ONSB - 02	ONSB - 03	ONSB - 04	ONSB - 05	ONSB - 06
Number of Mannequins	1	2	3	4	5	6
Mannequins	Auto Air Filling & Discharge	Auto Air Filling & Discharge	Auto Air Filling & Discharge	Auto Air Filling & Discharge	Auto Air Filling & Discharge	Auto Air Filling & Discharge
Blower Motor (HP)	3	3	3	5	5 X 2 Nos.	5 X 3 Nos.
Circulation Pump Motor (HP)	1	1	2	2	3	3
Main Water Tank Volume (Ltrs)	Approx. 1000 ltrs	Approx. 1800 ltrs	Approx. 2600 ltrs	Approx. 3300 ltrs	Approx. 4100 ltrs	Approx. 4800 ltrs

MODEL	NO. OF DUMMIES	A (WORKING WIDTH)	B (TOTAL WIDTH)	C (DEPTH)	D (HEIGHT)	E (TOTAL HEIGHT)	TOTAL DIMENSIONS
ONSB - SAMPLE	1 DUMMY	1090	1690	3000	2500	3270	1690 X 3000 X 3270
ONSB - 02	2 DUMMY	2180	2780	3000	2500	3270	2780 X 3000 X 3270
ONSB - 03	3 DUMMY	3270	3870	3000	2500	3270	3870 X 3000 X 3270
ONSB - 04	4 DUMMY	4360	4960	3000	2500	3270	4960 X 3000 X 3270
ONSB - 05	5 DUMMY	5450	6050	3000	2500	3270	6050 X 3000 X 3270
ONSB - 06	6 DUMMY	6540	7140	3000	2500	3270	7140 X 3000 X 3270

In view of continuous improvement of the products, ONYX reserves the right to change the specifications without prior notice.

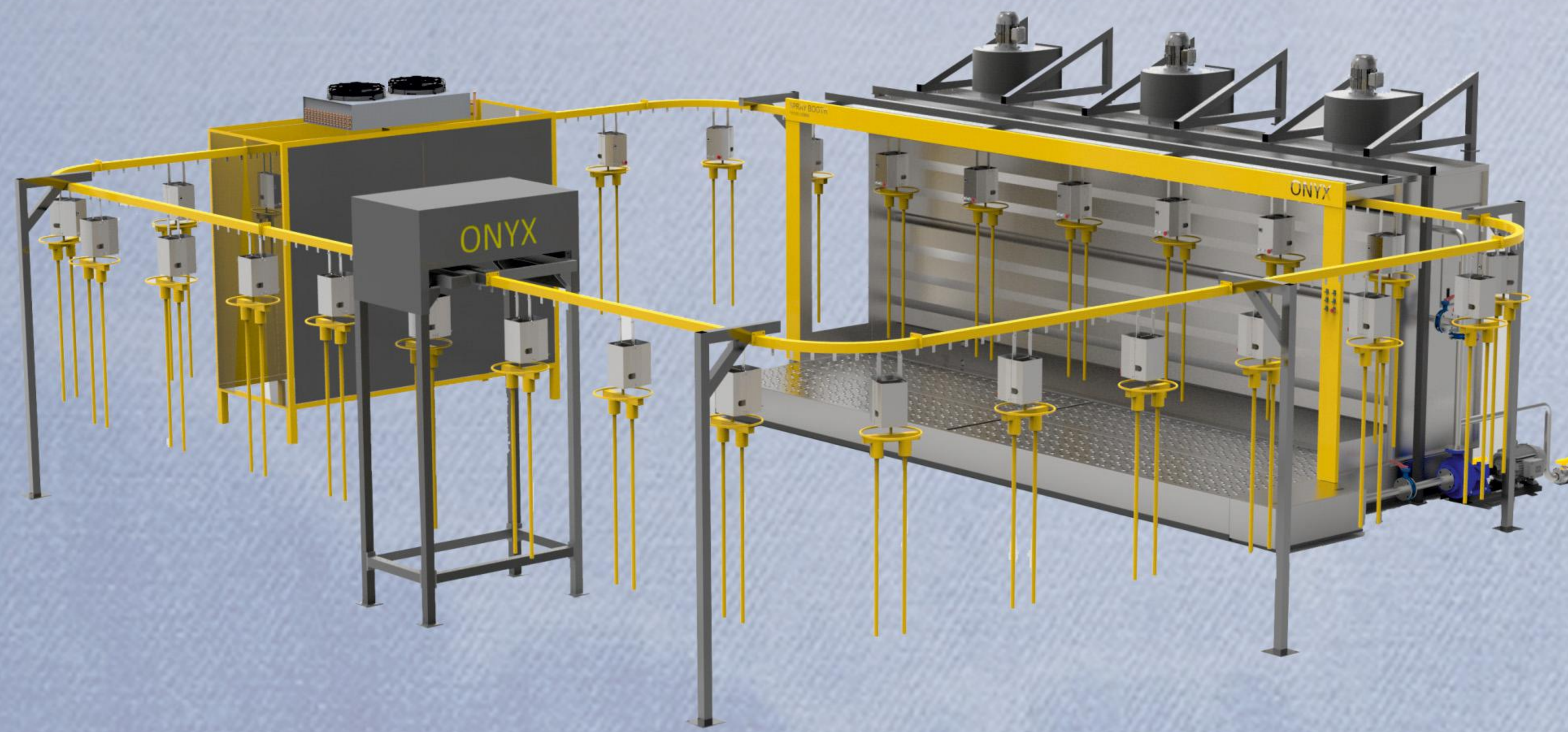
SPRAYBOOTH WITHOUT PLATFORM



MODEL	NO. OF DUMMIES	A (WORKING WIDTH)	B (TOTAL WIDTH)	C (DEPTH)	D (HEIGHT)	E (TOTAL HEIGHT)	TOTAL DIMENSIONS
ONSB - SAMPLE	1 DUMMY	1090	1490	2000	2570	3350	1490 X 2000 X 3350
ONSB - 02	2 DUMMY	2180	2580	2000	2570	3350	2580 X 2000 X 3350
ONSB - 03	3 DUMMY	3270	3670	2000	2570	3350	3670 X 2000 X 3350
ONSB - 04	4 DUMMY	4360	4760	2000	2570	3350	4760 X 2000 X 3350
ONSB - 05	5 DUMMY	5450	5850	2000	2570	3350	5850 X 2000 X 3350
ONSB - 06	6 DUMMY	6540	6940	2000	2570	3350	6940 X 2000 X 3350

In view of continuous improvement of the products, ONYX reserves the right to change the specifications without prior notice.

SPRAYBOOTH WITH CONVEYOR



Specially designed Spray booth with conveyor and Hot chamber for Higher Production.
 No chemical spots on the garments due to wet garment, hot chamber ensure you dry garment before offloading.
 Digital Auto Pressure control systems for all Mannequins.
 Auto Air Filling & Discharge with 0/1/2 Selector Switch
 Available in 21/27 Mannequins Design.
 Auto Rotation of mannequins with 0/1 Selector Switch.

In view of continuous improvement of the products, ONYX reserves the right to change the specifications without prior notice.

www.onyxmachinery.in

3D CRINKLE MACHINE

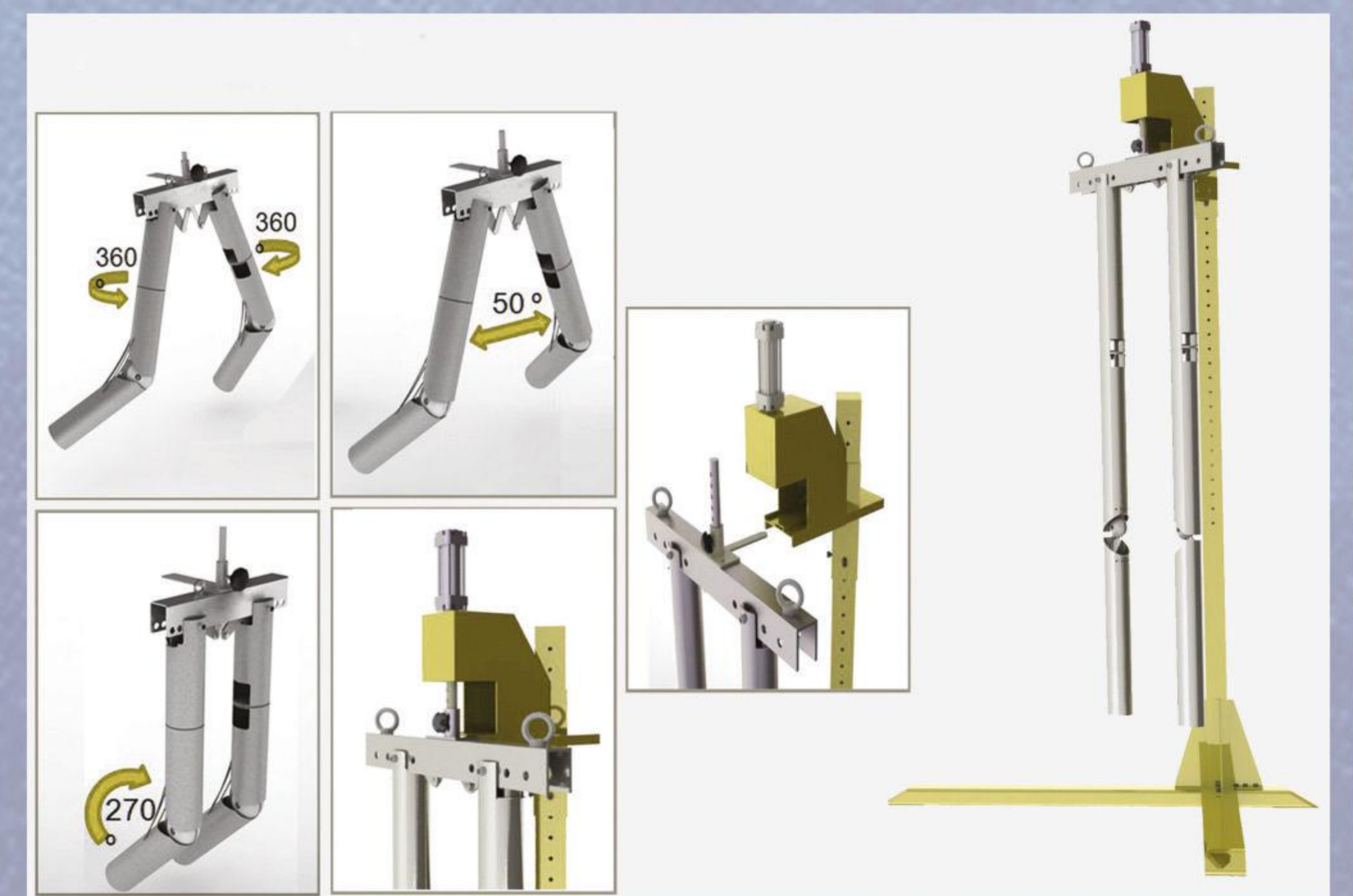
It is Pre Curing Treatment machine.
 Designed to achieve desire 3D Effect on the garment.
 Powerful Suction has been provided to hold the design during pre curing process.
 With Manual / Auto Sliding mechanism makes this machine easy to use.
 Special heating element has been provided in heating head to achieve higher temperature.

MULTIHEAD CRINKLE MACHINE	ONMC - 02	ONMC -02 A	ONMC - 04 - A
Number Of Heating Head	2	2	4
Number of Legs with Vacuum	4	4	8
Total Electrical Load (KW)	8	9	22
Legs Size	Man / Women / Kids	Man / Women / Kids	Man / Women / Kids
Overall Dimensions	1800 X 1500 X 1750	1800 X 1500 X 1750	3000 X 1500 X 1750



3D FLEXI LEG

Designed to achieve Natural 3D effect on Denim Pant.
 Available for Men & Women Size.
 Both types of leg can be operated by same type of Pneumatic Station
 3D Flexi Legs are made out of Aluminium.
 Perforated 3D Legs are made out of MS Powder coated With Aluminum Head.
 No Energy Require to create 3D Effect or to hold 3D effect.



In view of continuous improvement of the products, ONYX reserves the right to change the specifications without prior notice.

www.onyxmachinery.in

CURING OVEN WITH CONVEYOR

Automatic Curing oven with conveyor helps to achieve Higher productivity.
 It can be designed to match with customer demands and their production workflow.
 Heating Unit is designed as a separate block and is attached to the oven from one side.
 Main heat transfer unit is made out of stainless steel.
 Wider inner dimensions to work with 3D Flexi legs.
 Suitable Entrance & Exit for 3D flexi legs.
 With Touch Screen HMI, Panel control with 6 Sensors system in order to achieve even curing on garment.
 Adjustable speed drive has been provided for conveyor to match with curing time required on the garment.
 Speed is variable from 0.5 meters/min - 3 meters/min.
 Special Modulating Burner has been used for minimum energy requirement.
 Specially Designed Air curtain system has been provided to reduce energy loss from Entrance and exit



CONVEYOR CURING OVEN	ONCCO - 09	ONCCO - 11	ONCCO - 12
Total Dimensions - mm	16000 X 2700 X 2600	18000 X 2700 X 2600	20000 X 2700 X 2600
Oven Dimension (With Heat Unit) - mm	11000 X 2700 X 2600	13000 X 2700 X 2600	14000 X 2700 X 2600
Oven Inner Dimensions - mm	9000 X 2400 X 1765	11000 X 2400 X 1765	12000 X 2400 X 1765
Gate Entrance - mm	950	950	950
Electrical Consumption	6 KW/H	7 KW/H	8 KW/H
Burner Capacity	120,000-150,000 Kcal	150,000-175,000 Kcal	175,000-200,000 Kcal
Electrical Control	Touch Screen & PLC Control	Touch Screen & PLC Control	Touch Screen & PLC Control
Heating Capacity	UPTO 180 Degree	UPTO 180 Degree	UPTO 180 Degree

In view of continuous improvement of the products, ONYX reserves the right to change the specifications without prior notice.

CURING OVEN BATCH TYPE

Batch Type Curing oven designed for sampling & production purpose.
 Heating unit is made out of Stainless steel for Gas Oven.
 Electrical Heated oven is also available.
 Special Sandwich panel design with Glasswool insulation for less heat transfer.
 Hot air distribution system has been designed inside the oven for homogeneous effect on garment.



BATCH CURING OVEN	ONCO - SAMPLE	ONCO - 2000	ONCO - 3000	ONCO - 4000	ONCO - 5000
Total Dimensions - mm	2400 X 1800 X 2650	3400 X 1800 X 2650	4400 X 1800 X 2650	5400 X 1800 X 2650	6600 X 3000 X 2650
Oven Inner Dimensions - mm	1200 X 1500 X 1800	2000 X 1500 X 1800	3000 X 1500 X 1800	4000 X 1500 X 1800	5000 X 2800 X 1800
Electrical Heater Load	24 KW	24 KW	30 KW	36 KW	NA
Gas Consumption	4 m ³ /hr	6 m ³ /hr	8 m ³ /hr	12 m ³ /hr	14 m ³ /hr
Max Oven Temperature	Up to 180 Deg	Up to 180 Deg	Up to 180 Deg	Up to 180 Deg	Up to 180 Deg
Electrical Control Panel	With Burner Sequence Controller Operated by Temperature & Timer Controller	With Burner Sequence Controller Operated by Temperature & Timer Controller	With Burner Sequence Controller Operated by Temperature & Timer Controller	With Burner Sequence Controller Operated by Temperature & Timer Controller	With Burner Sequence Controller Operated by Temperature & Timer Controller

In view of continuous improvement of the products, ONYX reserves the right to change the specifications without prior notice.

IRON TABLE



We offer wide range of vacuum ironing tables & steam presses based on exact need of our clients.

Ergonomical Designed, Height can be adjusted based on operators requirement.

The most Versatile and widely used Electric + Steam iron world wide. High Quality, Rugged & Soft Touch Handle. Steam Iron, Teflon Shoe, Solenoid Valve, Silicon Pad & steam hose are the standard part of accessories supplied with tables.

All steam iron is widely used in Garment Industry for Finishing of knitted garments & sweaters, High Fashion Garments woolen, suits etc. Teflon Shoes and Steam pipe are standard accessories with Iron.

MODEL	Table Top Size	Vacuum Motor	Built In Heater	Dimensions
VIT 120	1200 X 750	1	0.9	1550 X 850 X 900
VIT 130	1300 X 800	1	0.9	1550 X 850 X 900 (Adjustable)

NOTES

TROUSER REVERSING MACHINE

Suitable for Dry and Semi Wet garments.

Special double leg design makes faster production.
Powerful suction with vacuum helps in increasing the production.
Thigh operated system makes it easy to use

Optional :
Single blower double station design available to save 50% Power consumption

Blower Motor : 7.5 HP





LET US BE PART OF YOUR SUCCESS...

ONYX MACHINERY PRIVATE LIMITED

40, UDAY INDUSTRIAL ESTATE, OPP. GIDC,
ODHAV, AHMEDABAD - 382 415.

Contact : +91 70 41 40 35 91 | + 91 72 27 82 82 84
sales@onyxmachinery.in | www.onyxmachinery.in

Authorized Agent

